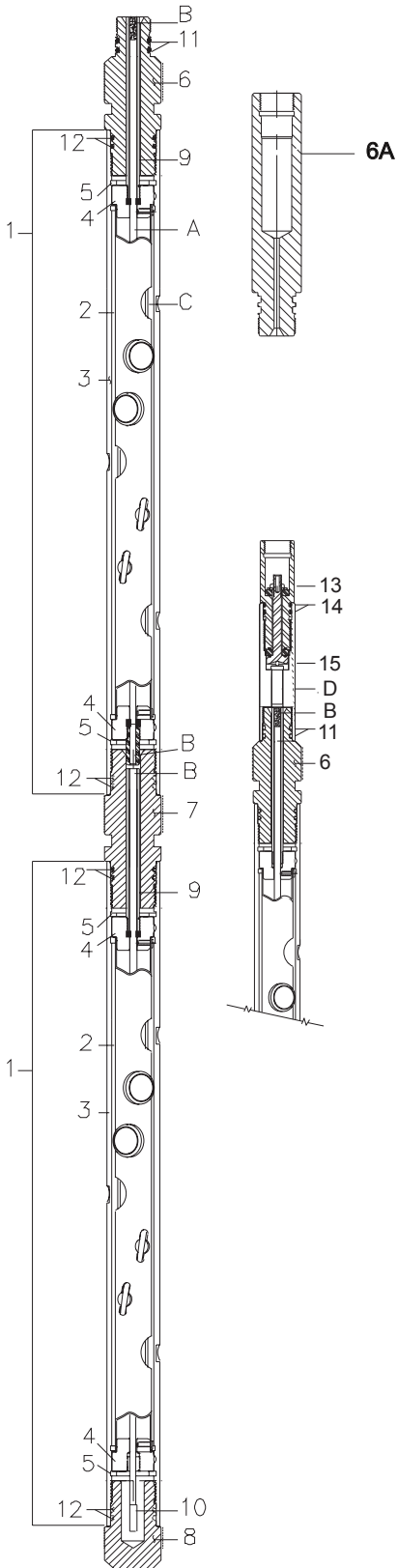
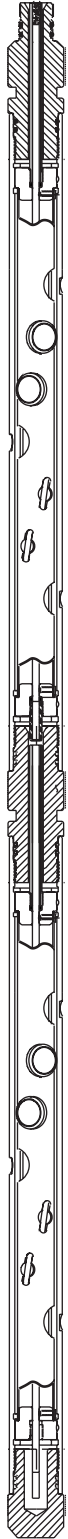


Scalloped Gun System, 1-11/16" O.D. 4 spf, 120° Spiral BH, DP & SDP - NT3

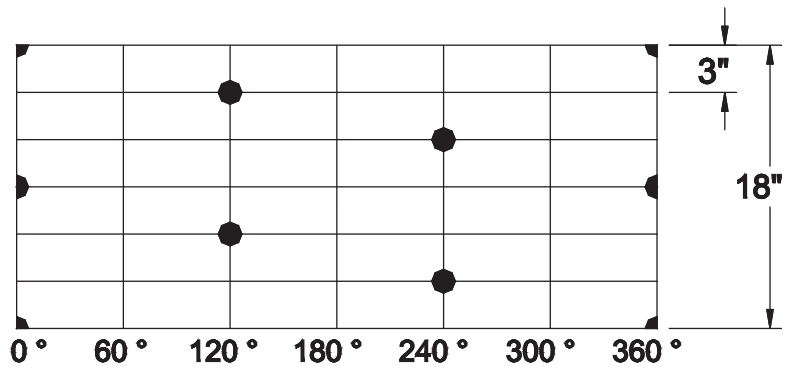
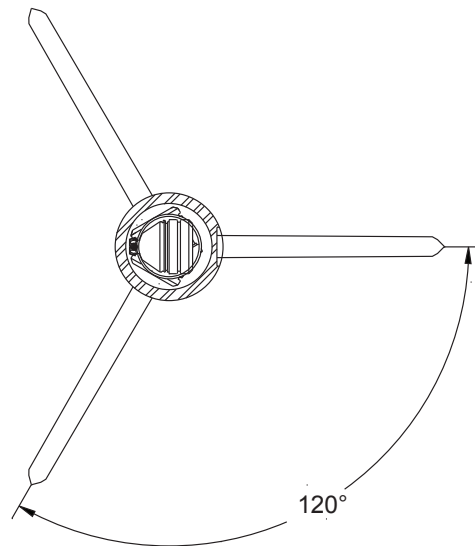


| ITEM | PART NO. | DESCRIPTION |
|------|-----------------|---|
| 1 | S16-0438-V21A | Shipping Assembly, 1-11/16" x 21', 4 spf, 120° Spiral |
| | S16-0438-V15A | Shipping Assembly, 1-11/16" x 15', 4 spf, 120° Spiral |
| | S16-0438-V11A | Shipping Assembly, 1-11/16" x 11', 4 spf, 120° Spiral |
| | S16-0438-V07A | Shipping Assembly, 1-11/16" x 7', 4 spf, 120° Spiral |
| | S16-0438-V04A | Shipping Assembly, 1-11/16" x 4', 4 spf, 120° Spiral |
| 2 | T10-0438-V21 | Tube Strip, 21', 4 spf, 120° Spiral |
| | T10-0438-V15 | Tube Strip, 15', 4 spf, 120° Spiral |
| | T10-0438-V11 | Tube Strip, 11', 4 spf, 120° Spiral |
| | T10-0438-V07 | Tube Strip, 7', 4 spf, 120° Spiral |
| | T10-0438-V04 | Tube Strip, 4', 4 spf, 120° Spiral |
| 3 | C16-0460-V21A | Carrier 1-11/16" x 21', 4 spf, 120° Spiral |
| | C16-0460-V15A | Carrier 1-11/16" x 15', 4 spf, 120° Spiral |
| | C16-0460-V11A | Carrier 1-11/16" x 11', 4 spf, 120° Spiral |
| | C16-0460-V07A | Carrier 1-11/16" x 7', 4 spf, 120° Spiral |
| | C16-0460-V04A | Carrier 1-11/16" x 4', 4 spf, 120° Spiral |
| 4 | TAG-1687-159 | End Plate (1) |
| | TAG-1687-159P | End Plate W/Pin (1) |
| 5 | TAG-1687-075 | Carrier Snap Ring (N-5000-125) (2) |
| 6 | TAG-1687-280 | Top Sub 1-11/16" |
| 6A | TAG-1687-112 | Top Sub 1-11/16" Wireline Systems |
| 7 | TAG-1687-281 | Tandem Sub 1-11/16" |
| 8 | TAG-1687-078 | Bull Plug 1-11/16" |
| 9 | RTG-0100-275 | Booster Transfer Kit, 1-11/16" & 2-1/8" |
| 10 | DET-0100-058 | Detonating Cord End Cover (40 grain ribbon) |
| 11 | OOO-N569-215 | O-Ring, #215, 90 Duro Nitrile - see ref. section |
| | OOO-V569-215 | O-Ring, #215, 90 Duro Viton - see ref. section |
| 12 | OOO-N569-215 | O-Ring, #215, 90 Duro Nitrile - see ref. section |
| | OOO-V569-215 | O-Ring, #215, 90 Duro Viton - see ref. section |
| 13 | AES-AS80005 | Firing Adapter Assy., 1.50 O.D. |
| 14 | OOO-N569-214 | O-Ring, #214, 90 Duro Nitrile - see ref. section |
| | OOO-V569-214 | O-Ring, #214, 90 Duro Viton - see ref. section |
| 15 | AES-4244 | Shooting Adapter Assy., 1-11/16" O.D. |
| A | A538010 | Detonating Cord, 40 gr., RDX, LS - see ref. section |
| | A539010 | Detonating Cord, 40 gr., RDX, LS - see ref. section |
| | A545010 | Detonating Cord, 40 gr., HMX, LS - see ref. section |
| | DET-0412-014 | Detonating Cord, 40 gr., HMX, LS - see ref. section |
| B | DET-3050-429 | Bi-Directional Booster |
| | DET-0010-006 | 40 grain rubber grommet - to std Bi-Directional Booster |
| C | SDP-1687-402NT3 | Charge, HMX, NT3 - HERO™ |
| | SDP-1687-401NTX | Charge, HMX, SDP |
| | RTG-1687-401NT | Charge, HMX, SDP |
| | RTG-1687-301 | Charge, RDX, DP |
| | RTG-1687-301BH | Charge, RDX, BH |
| D | DET-3050-008 | Detonator Assy., Top Fire |

**Scalloped Gun System,
1-11/16" O.D. 4 spf, 120° Spiral BH, DP & SDP - NT3**



| SPECIFICATIONS | | |
|-------------------|-----------------------|-------------|
| PRESSURE RATING | 172.4 MPa | 25,000 psi |
| TEMPERATURE | UP To 260°C | UP TO 500°F |
| TENSILE STRENGTH | 28,470 daN | 64,000 lbf |
| CARRIER THREAD | 1-9/32 - 12 STUB ACME | |
| GUN WEIGHT LOADED | 4.06 KG/M | 2.72 LB/FT |
| TORSIONAL YIELD | 949 N•m | 700 lb-ft |



Note: Guns are available in standard lengths from 2 through 21 ft.
 Gun lengths in increments of 0.5 ft are available by special order only.
 Charges and ancillary components for higher temperature applications are available by Special Order.